

Data Sheet

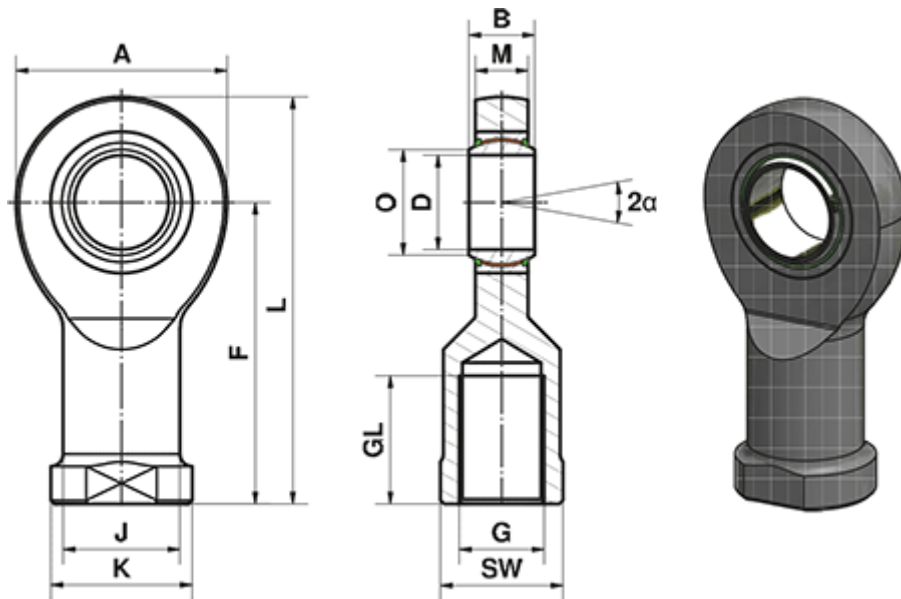


Article number: 03490045

Description: Fluro Heavy Duty Rod end EI 45 EW-2RS
M42x3 Female thread

Note: 45

Measures



A	= 102	J	= 58
a (degrees)	= 7	K	= 70
B	= 32	L	= 196
D	= 45	M	= 27
Dynamic load C (kN)	= 360	O	= 50.8
F	= 145	Static load C0 (kN)	= 263
G	= M42x3	SW	= 60
GL	= 65	Weight (g)	= 2500